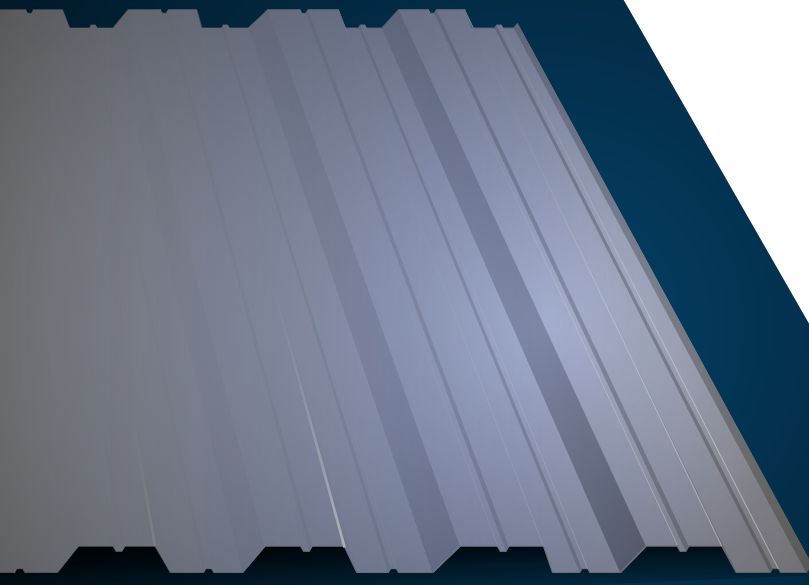


**VIRIFORM**<sup>®</sup>  
WHERE STRENGTH AND PRECISION UNITE



**The RoofDek range at a glance**

## Contents

About Viriform	3
RoofDek D32 and D60	4
RoofDek D35 and D46	5
RoofDek D100, D137 and D153	6
RoofDek D159, D200 and D210	7
RoofDek D46 perforated, D60 perforated, D100 perforated and D137 perforated	8
RoofDek D153 perforated, D159 perforated and D200 perforated	9
Support and Back Up	10
Sustainability and Standards	11



## About Viriform

Viriform, formerly known as Tegral Building Products, is one of Ireland's leading suppliers of structural and industrial metal products for composite flooring, roof decking and roofing and cladding. Working with engineers and fabricators across Ireland for decades, we aim to create value by offering a sustainable and value-added steel product range supported by unrivalled customer service.

Innovation and continuous improvement are at the heart of what we do, and by working in partnership with you, we strive to provide you with the best solutions to meet your needs and help your business to perform. Offering a wide range of products, systems and services specifically developed for the construction market.

Viriform offers the most comprehensive range of structural roof decking all under one Irish manufacturer's roof - all the steel profiles in specific gauges are FM approved. We also supply additional profiles to complement our Irish manufactured range from Tata Steel in UK and Europe.

### Why choose Viriform RoofDek:

- Technical support with a free local diaphragm design service and RoofDek software to aid design.
- The most extensive cost-effective and efficient range of roof deck profiles in Ireland. Huge span range from 1m to 12m.
- Colorcoat HPS200 Ultra® pre-finished steel soffits offer significant additional protection for aggressive internal environments.
- FM Approved steel roof deck.

### Roofing applications suitable for use on RoofDek:

- Single ply membrane.
- Standing seam systems.
- Green roofs.
- Slates and tiles.
- Three ply felt.
- Asphalt.





## The RoofDek range

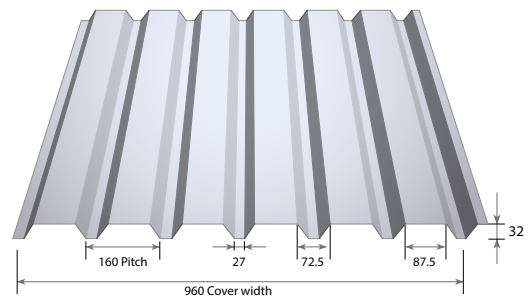
Trapezoidal profiles 32mm and 60mm deep

RoofDek D32 and D60 are our specialist decking materials made in our factory in Athy, Co. Kildare. Developed to optimise the designer's needs for efficiency, aesthetics and structural performance.

All can be self-curved to 40m and 85m radius depending on profile and finish, and are suitable for diaphragm design applications.

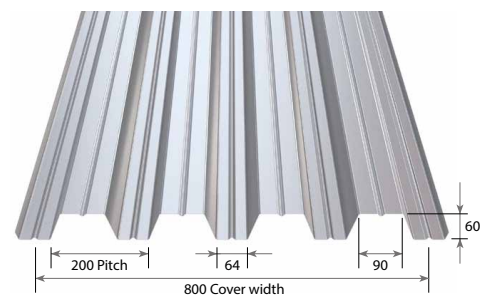
### RoofDek D32

- Manufactured in Ireland.
- Economy profile for use on purlins.
- Span range 1.2m to 2m.
- Steel 0.7mm, 0.9mm, 1.2mm galvanised or interior liner white finish.
- Colorcoat HPS200 Ultra® pre-finished steel 0.7mm.
- Aluminium also available subject to minimum order quantity.



### RoofDek D60

- Manufactured in Ireland.
- Strong midspan profile for use on purlins or main steel.
- Span range 2.5m to 4m.
- Steel 0.7mm, 0.9mm, 1.2mm galvanised or interior liner white finish.
- Colorcoat HPS200 Ultra® pre-finished steel 0.7mm.
- Aluminium also available subject to minimum order quantity.



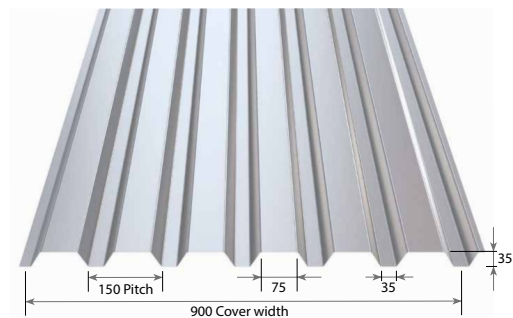
## The RoofDek range

Trapezoidal profiles 35mm and 46mm deep

RoofDek D35 and D46 can be supplied crimp curved down to 400mm radius.

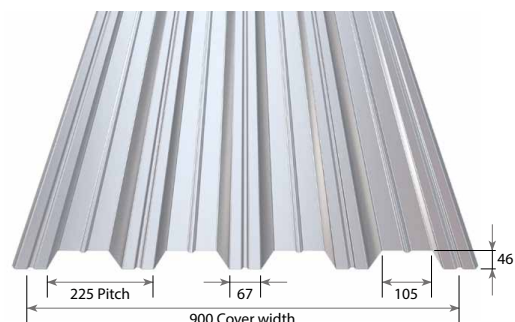
### RoofDek D35

- Ideal for single ply on purlins.
- Span range 1.5m to 2.5m.
- Steel 0.7mm, 0.9mm, 1.2mm galvanised or interior liner white finish.
- Colorcoat HPS200 Ultra® pre-finished steel 0.7mm.
- Aluminium also available subject to minimum order quantity.



### RoofDek D46

- Efficient deck for use on purlins or main steel.
- Span range 2m to 3.5m.
- Steel 0.7mm, 0.9mm, 1.2mm galvanised or interior liner white finish.
- Colorcoat HPS200 Ultra® pre-finished steel 0.7mm.
- Aluminium also available subject to minimum order quantity.



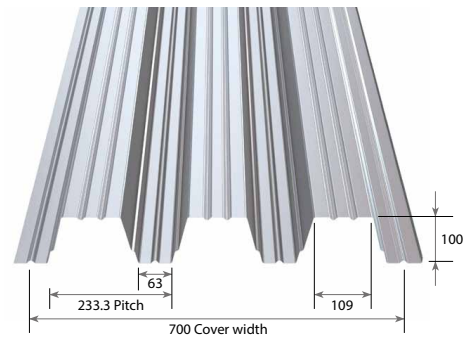


## The RoofDek range

Decks to span between main frames

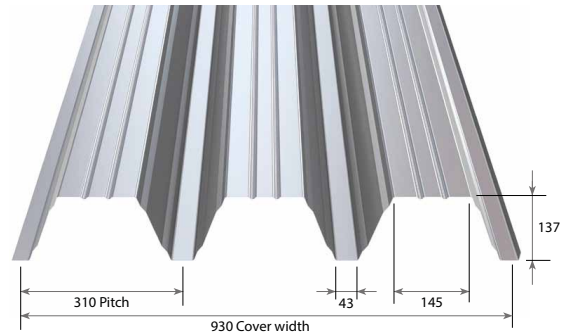
### RoofDek D100

- Robust long span deck.
- Span range 4m to 6m.
- Steel 0.7mm, 0.9mm, 1.2mm galvanised or interior liner white finish.
- Colorcoat HPS200 Ultra® pre-finished steel 0.7mm.
- Aluminium also available subject to minimum order quantity.



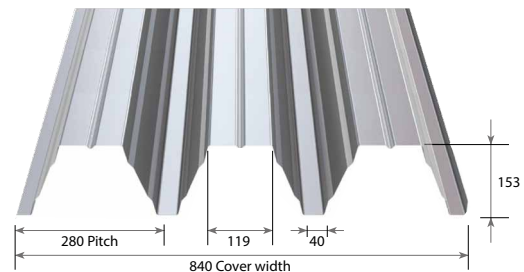
### RoofDek D137

- Optimised low deflection design.
- Span range 4.5m to 7m.
- Steel 0.75mm, 0.88mm, 1.25mm galvanised or interior liner white finish.



### RoofDek D153

- Big brother to D137, extending span range.
- Span range 5m to 8m.
- Steel 0.75mm, 0.88mm, 1.25mm interior liner white finish.

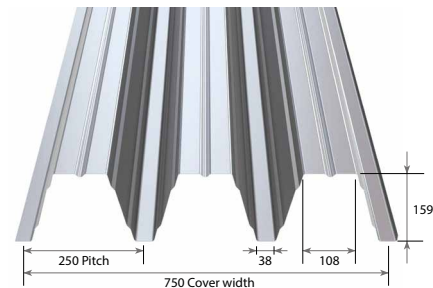


## The RoofDek range

Decks to span between main frames

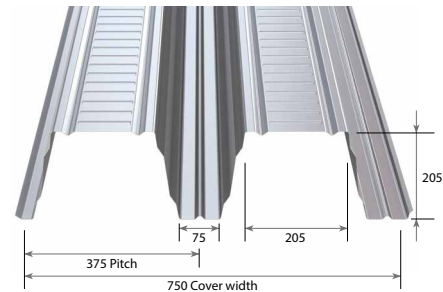
### RoofDek D159

- Strong and stiff profile for reliable long span performance.
- Span range 6m to 9m.
- Steel 1.25mm galvanised or interior liner white finish.
- Aluminium also available subject to minimum order quantity.



### RoofDek D200

- Ultimate spanning ultra-strong profile.
- Span range 9m to 11m; 12m for light load roofs.
- Steel 0.88mm, 1.25mm, 1.5mm interior liner white finish.



### RoofDek D210

- The deepest RoofDek providing the ultimate roof platform.
- Span range 6m to 7.5m.
- Steel 1.25mm galvanised finish.



### Liner trays

Liner trays are also available to suit Spans of 3m to 6m.





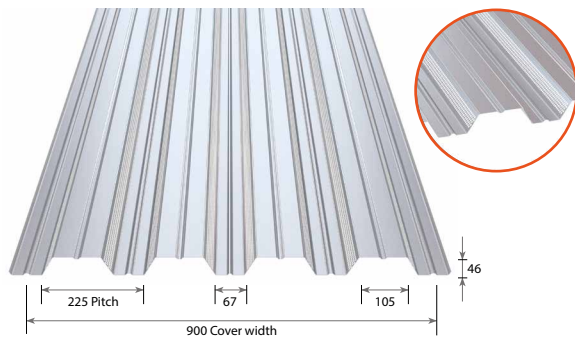
## The RoofDek range

### Acoustic profiles

- Perforated web roof decking to provide acoustic absorption and structural support.
- RoofDek's tried and tested acoustic profiles achieve sound absorption ratings from A-D.
- Acoustic test data for absorption performance available.
- Open area varies by profile.

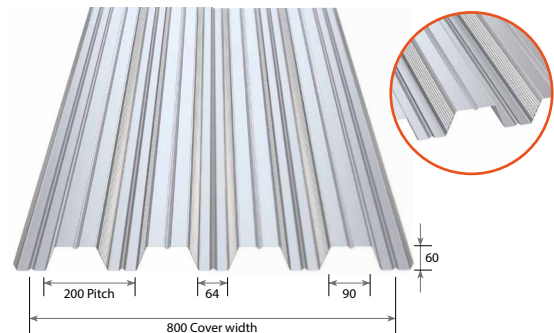
#### RoofDek D46 perforated:

- 13.1% of cover area.
- 10.8% of exposed area (total area of metal exposed).



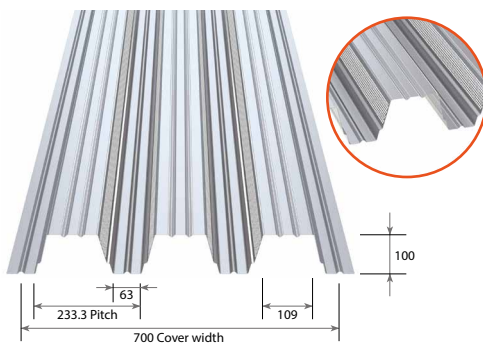
#### RoofDek D60 perforated:

- 19.6% of cover area.
- 13.9% of exposed area (total area of metal exposed).



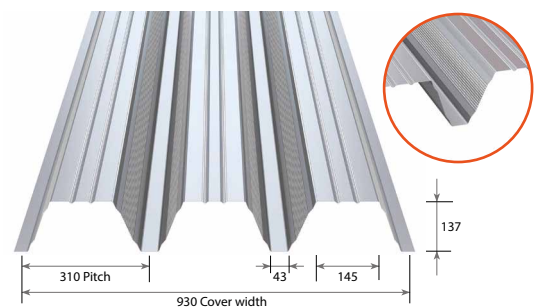
#### RoofDek D100 perforated:

- 21.1% of cover area.
- 13.3% of exposed area (total area of metal exposed).



#### RoofDek D137 perforated:

- 10.0% of cover area (plan area of soffit).
- 6.1% of exposed area (total area metal exposed).



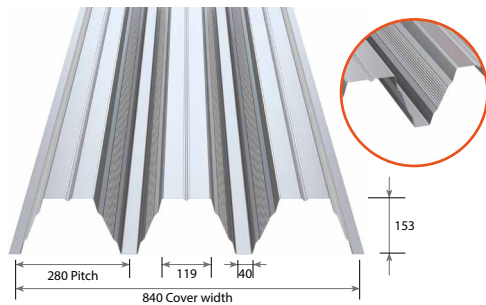


## The RoofDek range

### Acoustic profiles

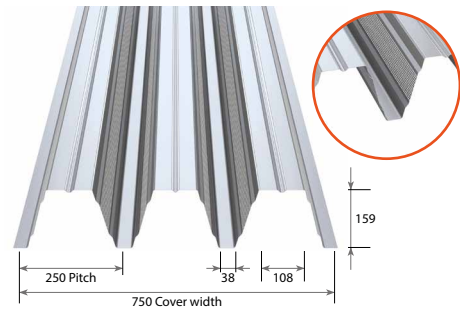
#### RoofDek D153 perforated:

- 11.0% of cover area (plan area of soffit).
- 6.2% of exposed area (total area metal exposed).



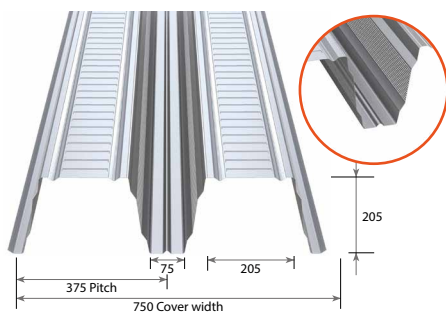
#### RoofDek D159 perforated:

- 14.2% of cover area (plan area of soffit).
- 7.6% of exposed area (total area metal exposed).



#### RoofDek D200 perforated:

- 10.0% of cover area (plan area of soffit).
- 5.0% of exposed area (total area metal exposed).



## Support and Back Up

At Viriform, we are committed to providing outstanding customer care and technical support. Formerly under the brand name of Tegral, we have decades of knowledge and expertise in structural engineering solutions. Working alongside Tata Steel Construction, one of Europe's leading steel construction producers, we offer the widest range of top quality products, services and construction innovations.



### **Design Software:**

RoofDek Analysis Software enables a full deck analysis to achieve optimum design and a fast deck selection to find the right RoofDek profile for your project. Talk to our Technical Support team today for more.



### **Design Calculations:**

The technical team are able to provide design calculations for live, dead, wind and snow drift loads and where required, diaphragm design calculations.



### **For Technical Support:**

Phone: +353 (0) 59 86 31316  
Email: [support@viriform.com](mailto:support@viriform.com)



### **For Sales and Customer Service please contact us at:**

Phone: +353 (0) 59 86 31316  
Email: [info@viriform.com](mailto:info@viriform.com)

## Sustainability and Standards



### Sustainability

Viriform is the commercial and industrial sector of Etex Ireland which are part of the global building materials group, Etex. Both Etex Ireland, and Etex as a worldwide entity, have been leading the way in terms of light weight construction and environmental impact of construction for decades.

The company has fostered a strong environmental awareness among its workforce and invests a range of resources into achieving tangible environmental progress through its ongoing environmental improvement programme, as part of the ISO 14001 standard. Etex is also fully committed to the maintenance of a healthy and safe environment for its employees, for its customers and the local communities in which it operates through its ongoing certification to the ISO 45001 Health & Safety Management System.

Annual audits provide third-party assessment and verification of our efforts to manage our environment and social impacts.

Declarations of Performance are all available on [www.viriform.com](http://www.viriform.com).

We work alongside our customers to design more sustainable products that contribute to solutions which offer a number of key advantages in terms of sustainability. We are also proud to be gold members of the Irish Green Building Council whose objective is to transform the Irish industry to sustainable practices through policy creation, education and provision of tools to measure and accelerate progress. Our products are fully recyclable and are produced and built to last with consideration given to the components end of life options and the circular economy.



### Standards



Your choice of products have a guaranteed level of quality as all of our products covered by an EN Standard carry an appropriate CE Mark. We operate to ISO 9001 (Quality), ISO 45001 (Health & Safety) and ISO 14001 (Environment). Factory produced with the backing of a robust quality management and environmental management standards, we offer full traceability of all components.



Based in Athy, Co. Kildare, we employ over 150 people and are proud to be founding Guaranteed Irish members. So when you choose Viriform, you have peace of mind that you are choosing high performance, top quality products as well as supporting local Irish jobs.

This document is protected by International copyright laws. Reproduction and distribution in whole or in part without prior written permission is strictly prohibited. Viriform is a registered trademark of Etex Ireland or an affiliate thereof. Any use without authorisation is prohibited and may violate trademark laws.

VIRIFORM<sup>®</sup>

[www.viriform.com](http://www.viriform.com)

**Etex Ireland Limited**

Kilkenny Road, Athy, Co. Kildare, R14 VN84

**Phone:** +353 (0) 59 86 31316

**Email:** [info@viriform.com](mailto:info@viriform.com)

